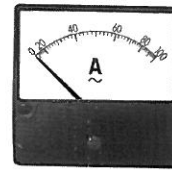


CIRCULAR SCALE METER FOR SWITCHBOARD INSTRUMENTS



D110
D80



DH-80

■ USAGE

ENERDIS D & DH Series are circular scale instruments manufactured using DC Taut-band suspension method and the built-in transducer system.

All meters exceed the requirements of IEC51, IEC61010-1, and ANSI 39.1 (Option)

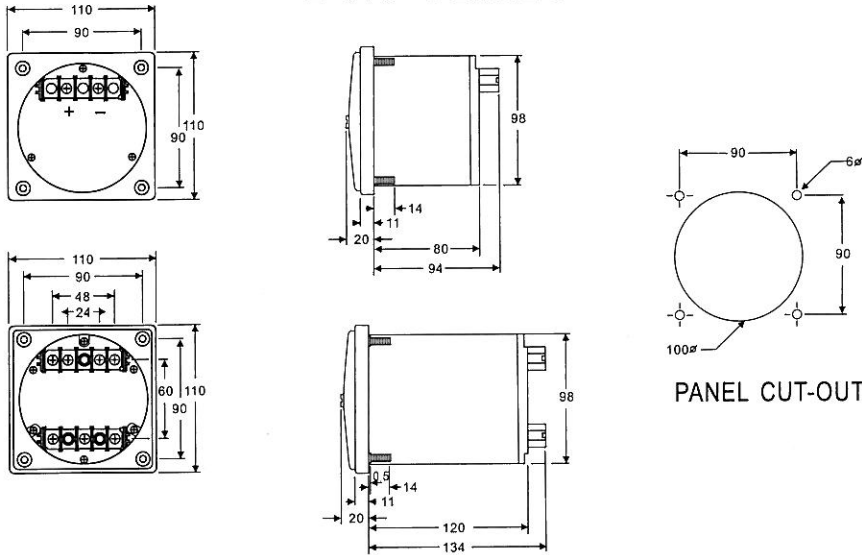
■ D110 SERIES (110x110mm) D80 (80x80mm)

■ DH-80 SERIES(80*80)

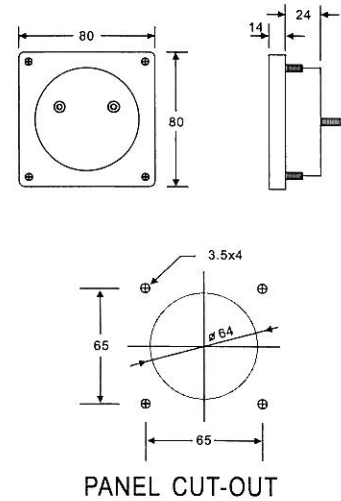
ITEM		PRINCIPLE	TYPE	CLASS	ITEM	PRINCIPLE	TYPE	CLASS
DC Voltmeter		Moving coil	D110C 250V	1.5	DC Voltmeter	Moving coil	DH-80CV	2.5
DC Ammeter			D110C 250A	1.5	DC Ammeter		DH-80CA	2.5
AC Voltmeter		Transducer	D110A 250V	1.5	AC Voltmeter	Transducer	DH-80AV	2.5
AC Ammeter			D110A 250A	1.5	AC Ammeter		DH-80AA	2.5
Watt meter	3Ø 3W	Transducer	D110A 250CAW33	1.5	ITEM	SPECIFICATIONS		
	3Ø 4W		D110A 250CAW34	1.5		D SERIES		DH SERIES
Var meter	3Ø 3W	Transducer	D110A 250CAV33	1.5	Cover color	Black (Mansell N1.5)		
	3Ø 4W		D110A 250CAV34	1.5	Case material	Cover (Methacrylic acid resin) Bass (ABS resin)		
Power Factor meter	3Ø 3W (unblance)	Transducer	D110A 250TPF	5.0	Withstand voltage	AC 2600V for 1min.:between circuit and outercase Max. circuit Voltage Voltage : AC 500V		
	3Ø 4W (unblance)		D110A 250PPF	5.0	Operational Humidity	40~85%RH		
Frequency meter		Transducer	D110A 250F	0.5	Operational Temperature	-10~55 °C		
					Standard	IEC51, IEC61010-1		
					Accuracy class	See first page "D&DH series"		
					Angle of deflection	250°	86°	
					Scale length	200mm	45~95mm	
					Scale color	White		
					Pointer	Lance type (black)		
					Mounting position	Vertical(L)		

■ DIMENSIONS

D110 SERIES

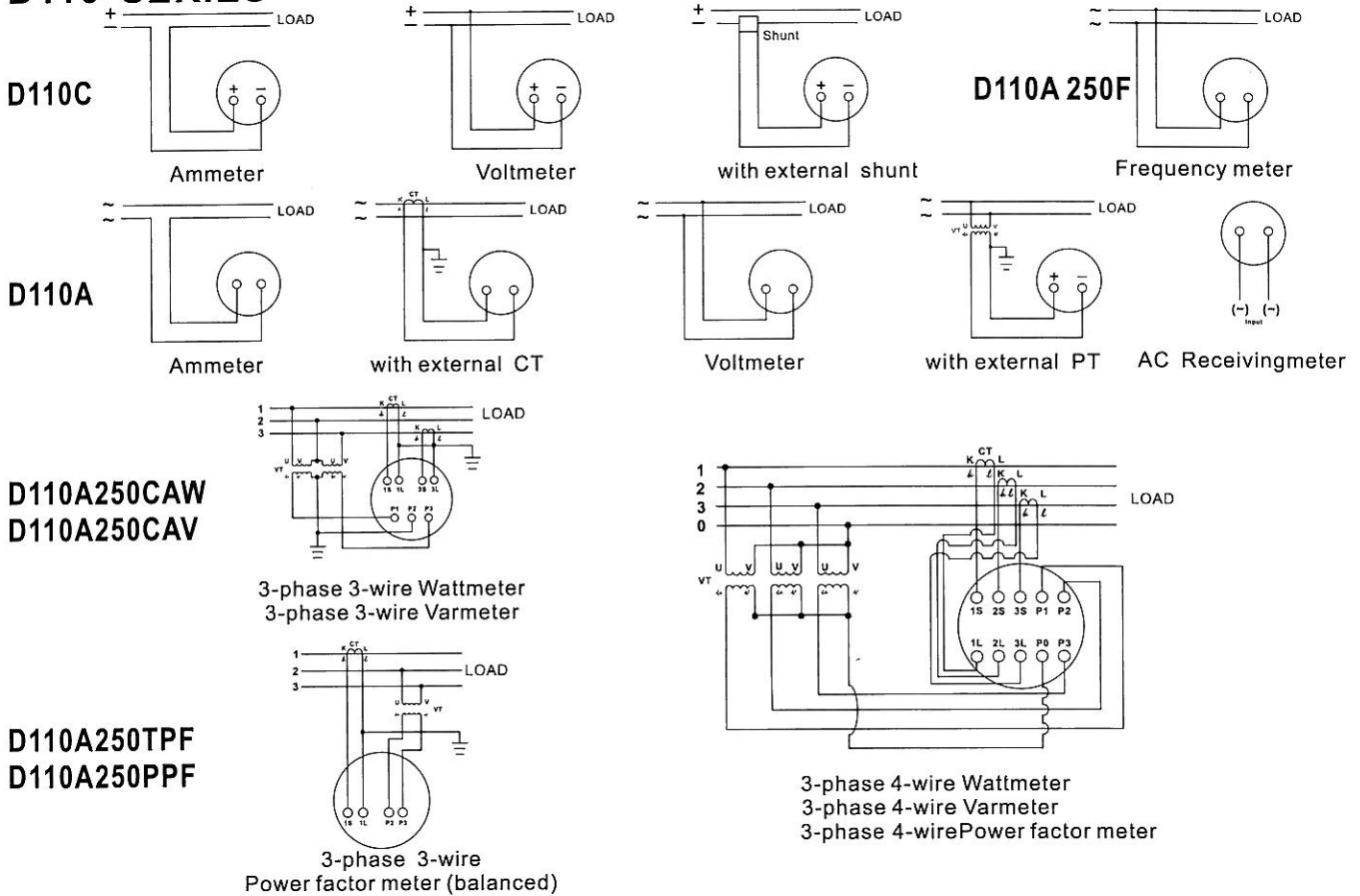


DH80 SERIES



■ CONNECTION DIAGRAMS

D110 SERIES



DH80 SERIES

